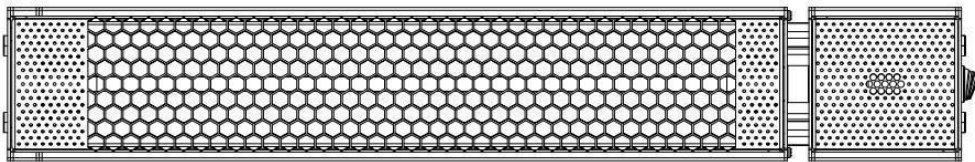


ecostrad

INSTRUCTIONS FOR ULTRA LOW GLARE INFRARED HEATER



Model: ECOSTRAD SUNGLO

Introduction

This infrared heater contains a 'Helen lamp' reflector heating system that provides even heat distribution.

The energy consumption of this infrared heater is 30 - 40% more efficient in comparison to traditional electric alternatives. Infrared heaters are commonly used for indoor or outdoor spot heating and are perfect for garages, outdoor patios, and workshops.

Model	ECOSTRAD SUNGLO
Voltage (V)	220-240V AC
Wattage (W)	2000
Hertz (Hz)	50-60
Dimensions W×H×D (mm)	680×110×70
Weight (kg)	1.8

Warning

PLEASE READ THE FOLLOWING INFORMATION CAREFULLY: This infrared heater is designed for safe operation. Nevertheless, installation, maintenance and operation of this appliance can be dangerous if undertaken incorrectly. Observing the following procedures will reduce the risk of fire, electric shock, and injury. It will also keep installation time to a minimum. Save these instructions for future reference.

1. Read the instructions carefully before using this heater.
2. Remove the unit from its packaging and check to make sure it is in good condition before using.
3. Do not let children play with parts of the packaging (e.g. plastic bags).
4. Check household voltage to ensure it matches the heater's rated specification.
5. Check the power cord and plug carefully before use to make sure that they are not damaged.
6. Before unplugging the power cord, be sure to turn off the power. When powering the unit, be sure your hands are dry to prevent electric shock.
7. Do not use the heater near flammable objects or point the heater toward soft furnishings, such as pillows, sofas, bedding etc. Curtains and drapes should be kept at least 1m from the front of the heater, but as an additional precaution, always keep them to the sides and rear of the appliance.
8. Do not use near or in the immediate vicinity of a bath or swimming pool or any source of liquid.

9. To protect against electric shock, do not immerse the cord or plug in water or any other liquid.
10. Do not insert or allow foreign objects to enter any ventilation or exhaust opening, as this may cause an electric shock, fire or damage to the heater.
11. Always unplug the heater when not in use.
12. Do not allow the cord to overhang any surfaces where it can be easily pulled down by children.
13. Do not put fingers or foreign objects into the grill while in operation.
14. Do not leave the appliance unattended when in use.
15. This heater is not intended for use in bathrooms, laundry rooms and similar indoor locations where it may fall into a bathtub or other water container.
16. No liability can be accepted for any damage caused by non-compliance with these instructions or any other improper use or mishandling.
17. This appliance is not intended for use by persons (including children) with reduced physical, sensory or mental capabilities. It should not be used by inexperienced persons unless they have been given supervision or instruction concerning the use of the appliance by a person responsible for their safety. Children and vulnerable people should be supervised to ensure they do not play with the appliance.
18. If the supply cord is damaged in any way, it must be replaced by the manufacturer or its service agent or a similarly qualified person in order to avoid a hazard.
19. To prevent the overheating of this appliance, keep air inlets and outlets clean and free of anything that may cause blockage. Check all inlets and outlets periodically to ensure they are clear of any dirt or dust accumulation. **Do not cover.**
20. Parts of the heater may exceed 200 °C. Contact with the heating tube, reflector, or metal parts near the heating tube, **can cause severe burns**. Never let bare skin touch the hot surfaces of the heater.
21. **Never** place your hands beneath the heating elements.
22. Always allow the heating elements to cool for at least 10 minutes before touching the heating tube or any adjacent parts.
23. This product contains recyclable materials. Do not dispose of this product with ordinary household waste. Please contact your local authority for collection and disposal information.

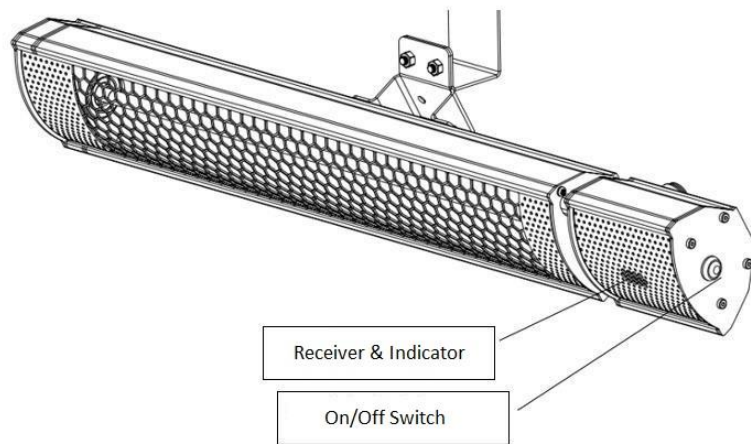
CLEANING AND MAINTENANCE

Regular and careful cleaning helps your infrared heater operate efficiently for many trouble free years. To clean your heater, follow the steps below:

1. Unplug the power cord for your safety before cleaning the appliance.
2. Make sure the heater is cool before continuing.
3. To keep the heater clean, the outer shell may be wiped down with a soft, damp cloth. You may use a mild detergent if necessary. After cleaning, dry the unit with a soft cloth. **Do not** let liquids enter the heater whilst cleaning.
4. **Do not** use alcohol, gasoline, abrasive powders, furniture polish or rough brushes to clean the heater. This may cause damage or deterioration to the surface of the heater.
5. **Do not** immerse the heater in water.
6. Wait until the heater is completely dry before use.

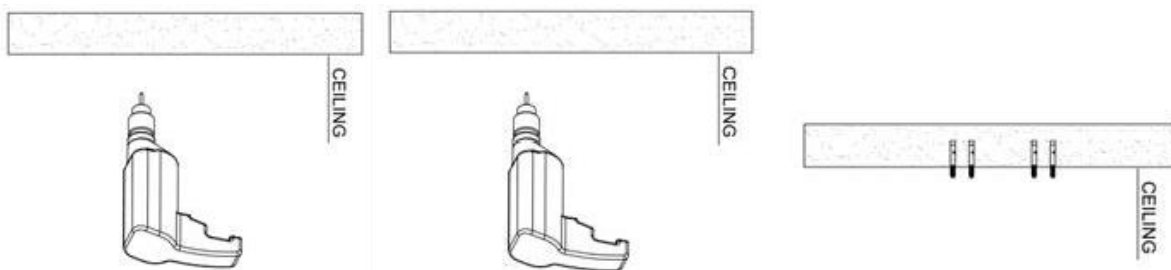
Store the heater in a cool, dry location when not in use to prevent dust and dirt build up. Use packaging carton to store.

ASSEMBLY INSTRUCTIONS



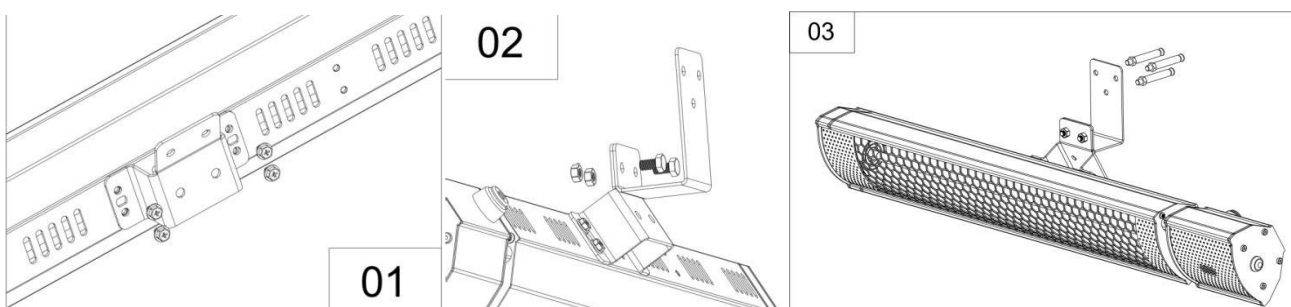
Tools Needed:

Pencil, hammer, spirit level, screwdriver, power drill and drill bits.



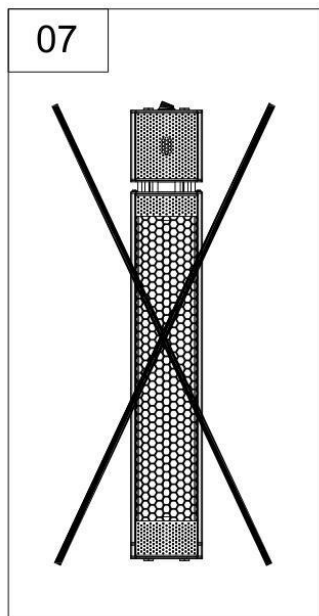
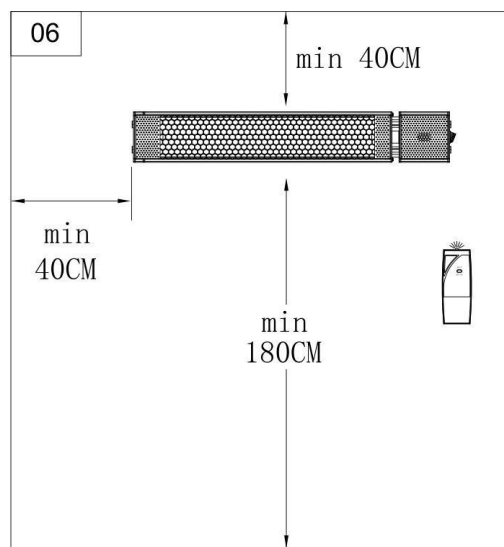
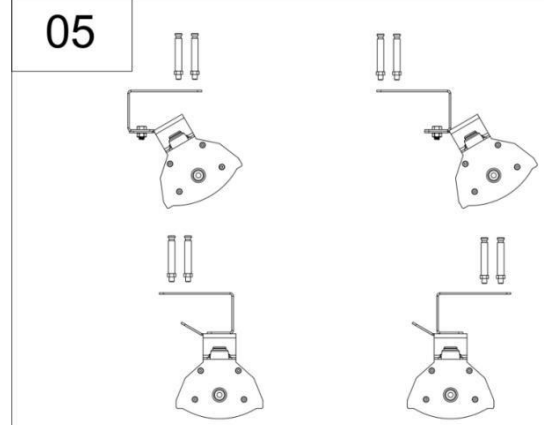
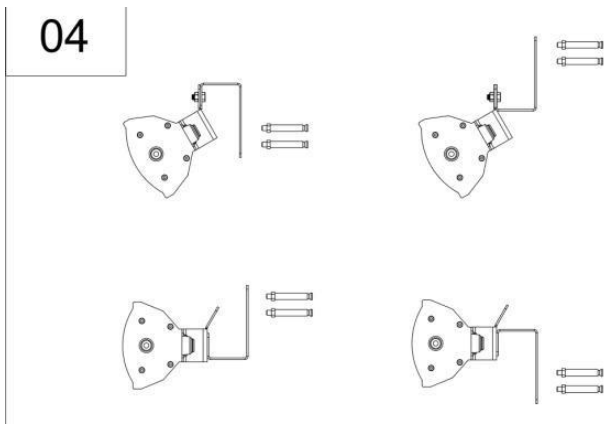
A wall mounting bracket is provided with the heater, which has been specifically designed to allow this product to be attached to a wall or ceiling. Before drilling the holes for the wall or ceiling mount, check that the surface is solid and that there are no hidden water pipes or electric wires. The heater must be installed no less than 40cm from any side walls and no less than 180cm from the floor.

Important: Ensure that the supply cable is well secured and that it does not come into contact with the reflector of the heater or trail into the heated area of the appliance. The supply cable can be fixed securely to the metal mounting bracket behind the heater with plastic zip ties.

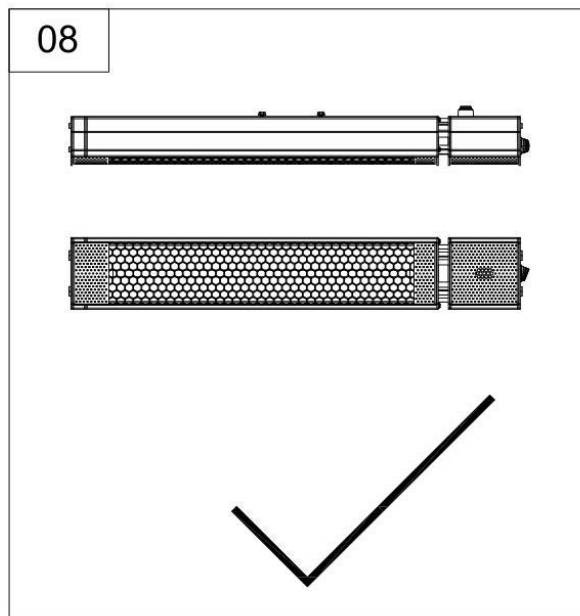


Wall Mounted

Ceiling Mounted



NO



OK

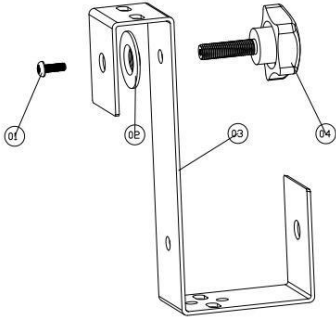
Make sure the heater is horizontally level.

The heater must be installed at least 1.8 m above the floor.

INSTALLATION WITH PARASOL

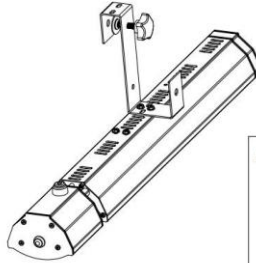
This heater is designed so it can also be mounted to a parasol or awning.

Mounting Option 1:

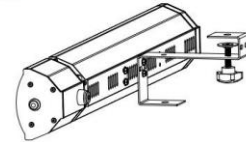


- NOTES:
 NO.1 M4*12
 NO.2 WASHER
 NO.3 FIXER HOLDER
 NO.4 KONB SCREW (M8*30)

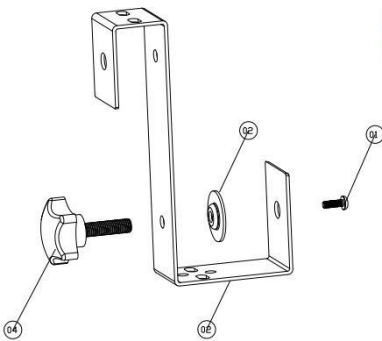
A-1



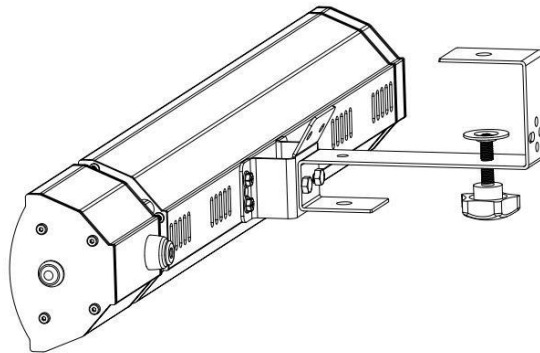
A-2



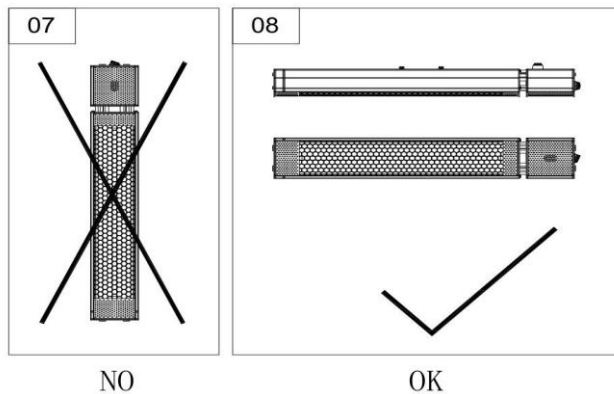
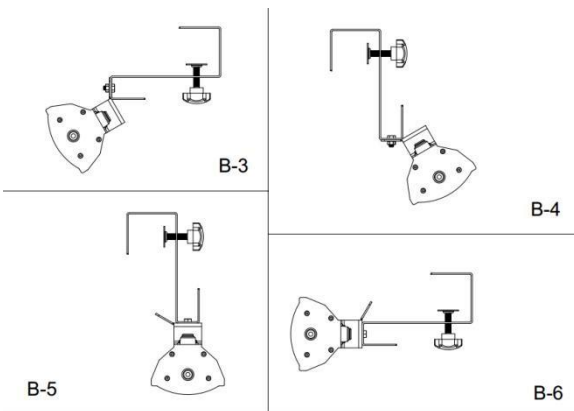
Mounting Option 2:



- NOTES:
 NO.1 M4*12
 NO.2 WASHER
 NO.3 FIXER HOLDER
 NO.4 KONB SCREW (M8*30)



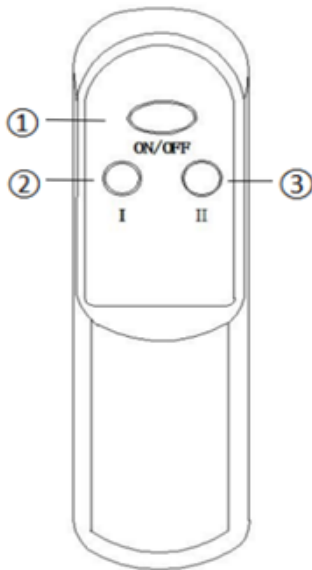
Alternate Mounting Angle:



FUNCTION & OPERATION

1. Plug the unit into a plug socket. Ensure the power supply is suitable for the appliance.
2. Press the power button on the right side of the heater.
3. Turn the heater on manually or by using the remote control.
4. Use the up and down buttons to set the desired heat output level.

REMOTE CONTROL INSTRUCTIONS



Remote Control Functions & Heater LED Response		
Button	Function (Heater Power ON /OFF)	Heater LED Display
1	Turn Heater ON/OFF	
2	Change to Level 1	L1
3	Change to Level 2	L2

1. Power Button: Turns heater on and off
2. Level 1 Button: Change the power to L1
3. Level 2 Button: Change the power to L2